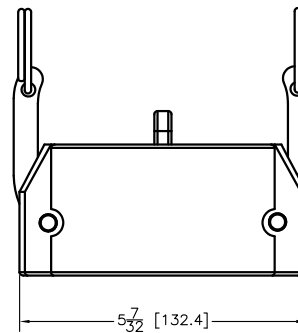
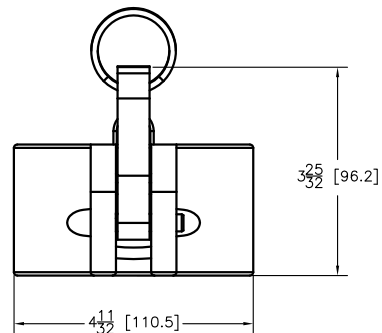
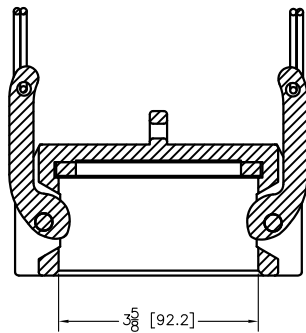
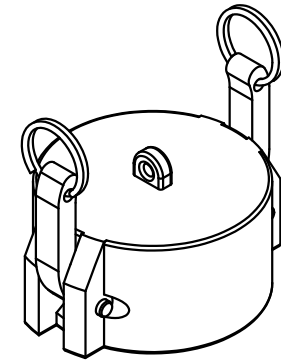


Parts List			
ITEM	QTY	NAME	DESCRIPTION
1	1	300XMCAP	CAP
2	2	300K	CAM ARM
3	2	300P	PIN
4	1	300G	GASKET
5	1	150(200)D	DECAL



BANJO
LIQUID HANDLING PRODUCTS

BANJO CORPORATION
150 BANJO DR. * CRAWFORDSVILLE, IN 47933

PART NO. 300CAP

TITLE 3" Camlock Cap

THIS DRAWING AND ALL INFORMATION CONTAINED THEREON ARE THE EXCLUSIVE PROPERTY OF BANJO CORPORATION. UNLESS SPECIFICALLY NOTED, THIS DRAWING AND ITEMS SHOWN ON THIS DRAWING ARE SUBJECT TO CHANGE AT ANY TIME.